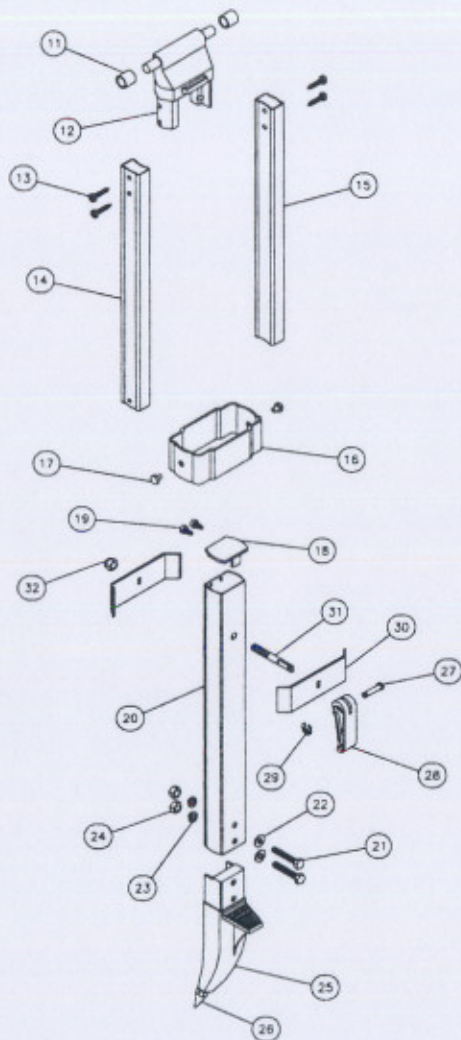


WHERE USED

60-ALQRI20

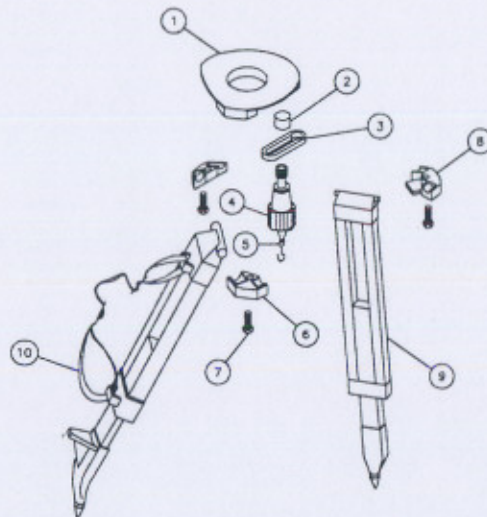
CHG. NO.	REV	REVISION	DRWN	DATE
-	A	RELEASED	SWN	01/07/02

ITEM	PART NUMBER	DESCRIPTION	QTY
1	Z60-3769I	TRIPOD HEAD, FLAT	1
2	Z60-3141I	CENTERING KNOB CAP, 5/8"	1
3	Z60-3383I	FLAT HEAD SWING ARM	1
4	Z60-1377I	FLAT HEAD BELL HOUSING	1
5	Z60-1639I	PLUMB BOB WIRE ASSY	1
6	Z60-3381I	HINGE CLAMP	2
7	Z60-1607I	5/16-18 X 1" LG HEX HD CAP SCR	3
8	Z60-3382I	EXTENDED HINGE CLAMP	1
9	Z60-2696I	COMPLETE LEG ASSY, ALQR TRIPODS	3
10	Z60-2961I	CARRYING STRAP	1
11	Z60-2956I	HINGE BUSHING, SOKKIA 552-1104	6
12	Z60-3618I	UNIVERSAL TRIPOD HINGE	3
13	Z60-1764I	1/4-20 HEX WASHER HEAD SCREW	12
14	Z60-1762I	BAND SIDE STRUT, 28-3/4" LG	3
15	Z60-1763I	GB SIDE STRUT, 28-3/4" LG	3
16	Z60-2700I	QUICK RELEASE CLAMP BAND	3
17	Z60-1902I	POP RIVET	6
18	Z60-1760I	CENTER LEG STOP CAP	3
19	Z60-1765I	#10 X 1/2" LG SCREW, SELF-TAP	6
20	Z60-2699I	CTR EXTENSION LEG, 30-1/8" LG	3
21	Z60-1899I	1/4-20 X 1-1/2" LG HEX HD CAP SCR	6
22	Z60-1900I	WASHER, FLAT, 1/4"	6
23	Z60-1641I	WASHER, LOCK, 1/4"	6
24	Z60-1901I	NUT, HEX HEAD, 1/4-20	6
25	Z60-3438I	TRIPOD SHOE	3
26	Z60-1368I	SHOE POINT	3
27	Z60-2375I	QUICK RELEASE PIN	3
28	Z60-5095I	QUICK RELEASE LEVER	3
29	Z60-2463I	"E" RING	3
30	Z60-5128I	LEG CLAMP PINCH PLATE	6
31	Z60-5120I	LOCK SHAFT, SQUARE	3
32	Z60-2483I	HEX LOCKNUT, 5/16-18	3



## AVAILABLE ASSEMBLIES

PART NUMBER	DESCRIPTION	INCLUDES ITEMS
Z60-2696I	COMPLETE LEG ASSY, ALQR TRIPODS	11 THRU 32
Z60-2863I	UPPER LEG SUB-ASSY	11 THRU 17
Z60-2862I	EXTENSION LEG SUB-ASSY	18 THRU 26
Z60-5157I	QUICK RELEASE CLAMP ASSY	27 THRU 32
Z60-2695I	FINAL ASSY	1 THRU 32



MATERIAL:

SCALE:

UNITS:

FINISH:

DRAWN BY: CAM

DATE: 10/07/97

**CST**  
CST Corporation  
*No One Measures Up... Worldwide*

## TOLERANCES

UNLESS OTHERWISE SPECIFIED  
 X = ± .020" BREAK  
 .XX = ± .010" ALL  
 .XXX = ± .005" SHARP  
 ANGLES = ± 1° EDGES

TITLE:

60-ALQRI20 TRIPOD ASSY

DWG FILE

PART NUMBER

REV

60-ALQRI20

60-ALQRI20

A